

24 Bit Stereo ADC

DESCRIPTION

The WM8738 is a high performance stereo audio ADC designed for consumer applications.

Stereo line-level audio inputs are provided, along with a control input pin to allow operation of the audio interface in either one of two industry standard modes. The device also has a selectable digital high pass filter to remove residual DC offsets.

Stereo 24-bit multi-bit sigma delta ADCs are provided, along with oversampling digital interpolation filters. 24-bit digital audio output word lengths and sampling rates from 8kHz to 96kHz are supported.

The device is available in a small 14-pin SOIC package.

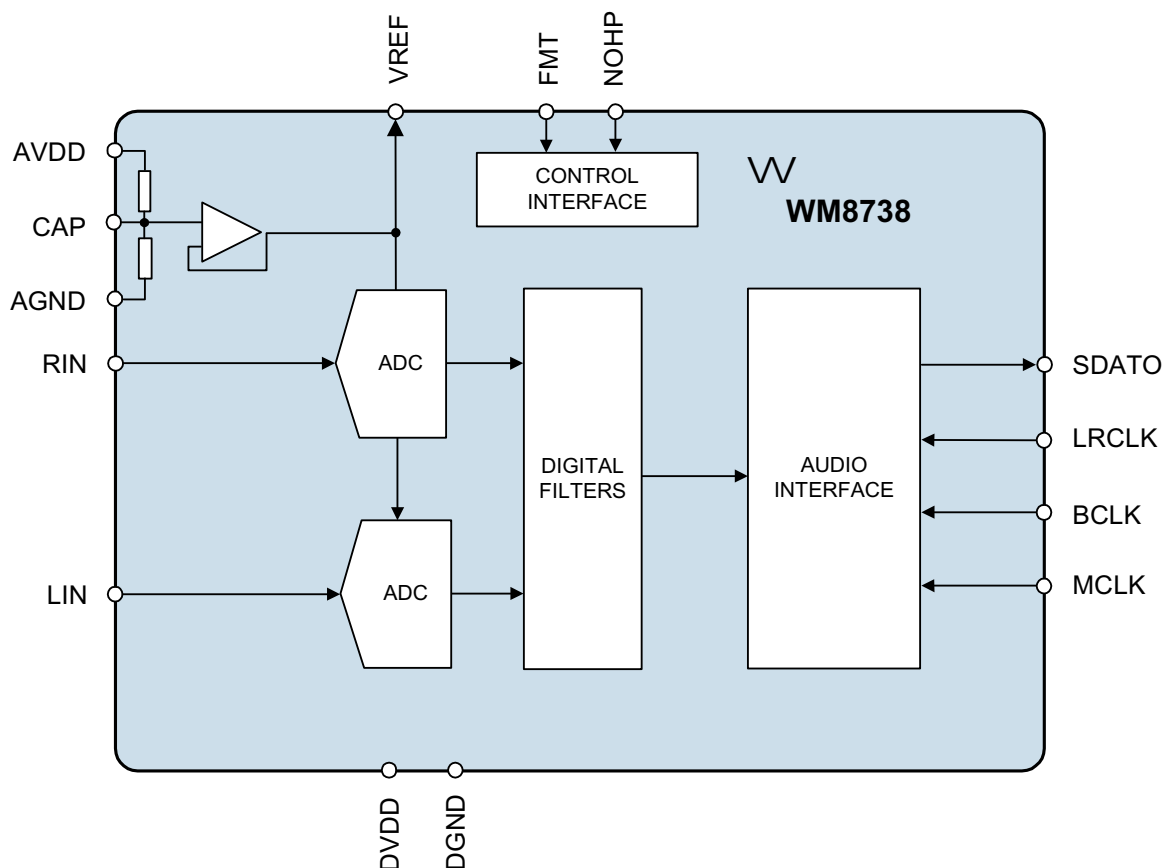
FEATURES

- Audio Performance
 - 90 dB SNR ('A' weighted @ 48kHz) ADC
- 3.0 – 5.5V Analogue Supply Operation
- 3.0 – 3.6V Digital Supply Operation
- ADC Sampling Frequency: 8kHz – 96kHz
- Selectable ADC High Pass Filter
- Selectable Audio Data Interface Modes
 - I²S or Left Justified
- 14-pin SOIC Package

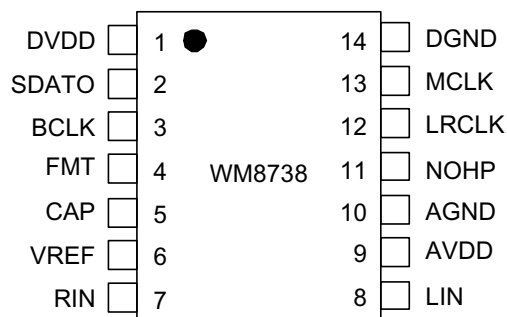
APPLICATIONS

- CD and Minidisc Recorders
- DVD Players
- General Purpose Audio Conversion

BLOCK DIAGRAM



PIN CONFIGURATION



ORDERING INFORMATION

DEVICE	TEMP. RANGE	PACKAGE
WM8738ED	-25 to +85°C	14-pin SOIC
WM8738GED	-25 to +85°C	14-pin SOIC (lead free)
WM8738ED/R	-25 to +85°C	14-pin SOIC (tape and reel)
WM8738GED/R	-25 to +85°C	14-pin SOIC (lead free, tape and reel)

Note:

Reel quantity = 3,000

PIN DESCRIPTION

PIN	NAME	TYPE	DESCRIPTION
1	DVDD	Supply	Digital positive supply
2	SDATO	Digital Output	ADC digital data output
3	BCLK	Digital Input	ADC digital output data clock (5v Tolerant)
4	FMT	Digital input (with pull down)	Audio interface format selection (5v Tolerant) '0' = I ² S '1' = Left Justified
5	CAP	Analog	Reference de-coupling pin
6	VREF	Analogue output	Buffered reference decoupling pin
7	RIN	Analogue Input	Right channel ADC input
8	LIN	Analogue Input	Left channel ADC input
9	AVDD	Supply	Analogue positive supply
10	AGND	Supply	Analogue ground supply and chip substrate
11	NOHP	Digital input (with pull down)	Digital highpass filter bypass; (5v Tolerant) '0' = Enabled '1' = Bypassed
12	LRCLK	Digital Input	Data left/right word clock (5v Tolerant)
13	MCLK	Digital Input	Master clock input (5v Tolerant)
14	DGND	Supply	Digital supply ground

Notes

- Digital input pins have Schmitt trigger input buffers and are 5V tolerant.

ABSOLUTE MAXIMUM RATINGS

Absolute Maximum Ratings are stress ratings only. Permanent damage to the device may be caused by continuously operating at or beyond these limits. Device functional operating limits and guaranteed performance specifications are given under Electrical Characteristics at the test conditions specified.



ESD Sensitive Device. This device is manufactured on a CMOS process. It is therefore generically susceptible to damage from excessive static voltages. Proper ESD precautions must be taken during handling and storage of this device.

The WM8738 has been classified as MSL1, which has an unlimited floor life at <math><30^{\circ}\text{C}</math> / 85% Relative Humidity and therefore will not be supplied in moisture barrier bags.

CONDITION	MIN	MAX
Digital supply voltage	-0.3V	+3.63V
Analogue supply voltage	-0.3V	+7.0V
Voltage range digital inputs	DGND -0.3V	+7.0V
Voltage range analogue inputs	AGND -0.3V	AVDD +0.3V
Master Clock Frequency		37MHz
Operating temperature range, T_A	-25°C	+85°C
Storage temperature prior to soldering	30°C max / 85% RH max	
Storage temperature after soldering	-65°C	+150°C
Package body temperature (soldering 10 seconds)		+240°C
Package body temperature (soldering 2 minutes)		+183°C

Notes

- Analogue and digital grounds must always be within 0.3V of each other.
- The digital supply voltage must always be less than or equal to the analogue supply voltage.

RECOMMENDED OPERATING CONDITIONS

PARAMETER	SYMBOL	TEST CONDITIONS	MIN	TYP	MAX	UNIT
Digital supply range	DVDD		3.0		3.6	V
Analogue supply range	AVDD		3.0		5.5	V
Ground	DGND,AGND			0		V
Analogue supply current		AVDD = 5.0V, (DVDD at 3.3V)		30		mA
Analogue supply current		AVDD = 3.3V, (DVDD at 3.3V)		19		mA
Supply Current Low Power Mode		AVDD = 5.0V (DVDD at 3.3V)		180		μA
Supply Current Low Power Mode		AVDD = 3.3V (DVDD at 3.3V)		110		μA
Digital supply current		DVDD = 3.3V AVDD = 5.0V or 3.3V		4		mA

ELECTRICAL CHARACTERISTICS

Test Conditions

AVDD = 5.0V, AGND = 0V, DVDD = 3.3V, DGND = 0V, T_A = +25°C, fs = 48kHz, MCLK = 256fs unless otherwise stated.

PARAMETER	SYMBOL	TEST CONDITIONS	MIN	TYP	MAX	UNIT
Digital Logic Levels (TTL Levels)						
Input LOW level	V _{IL}				0.8	V
Input HIGH level	V _{IH}		2.0			V
Output LOW	V _{OL}				0.1 x DVDD	V
Output HIGH	V _{OH}		0.9 x DVDD			V
Pull down resistance (FMT, NOHP)	R _{PD}			100		kΩ
Analogue Reference Levels						
Reference voltage	V _{CAP}		AVDD/2 – 50mV	AVDD/2	AVDD/2 + 50mV	V
Buffered reference voltage	V _{REF}			V _{CAP}		V
Potential divider output impedance	R _{CAP}		40K	50K	60K	Ohms
Input to ADC						
Input Signal Level (0dB)	V _{RIN} / V _{LIN}			1.0		V _{rms}
SNR (Note 1,2)		A-weighted, 0dB gain @ fs = 48KHz		90		dB
SNR (Note 1,2)		A-weighted, 0dB gain @ fs = 96KHz		90		dB
SNR (Note 1,2)		A-weighted, 0dB gain @ fs = 48KHz, AVDD = 3.3V		90		dB
Dynamic Range (Note 2)	DNR	A-weighted, -60dB full scale input	90	97		dB
Total Harmonic Distortion (THD) (Note 4)		-1dB input, 0dB gain		-87		dB
ADC channel separation		1KHz input		95		dB
Input Resistance				20k		Ohms
Input Capacitance				10		pF

Notes

- Ratio of output level with 1kHz full scale input, to the output level with the input open circuited, measured 'A' weighted over a 20Hz to 20kHz bandwidth using an Audio analyser.
- All performance measurements done with 20kHz low pass filter, and where noted an A-weight filter. Failure to use such a filter will result in higher THD+N and lower SNR and Dynamic Range readings than are found in the Electrical Characteristics. The low pass filter removes out of band noise; although it is not audible it may affect dynamic specification values.
- V_{REF} and CAP de-coupled with 10uF and 0.1uF capacitors (smaller values may result in reduced performance).
- This data is measured, using an active filter on the device inputs.

TERMINOLOGY

- Signal-to-noise ratio (dB) - SNR is a measure of the difference in level between the full scale output and the output with no signal applied. (No 'Auto-zero' or Automute function is employed in achieving these results).
- Dynamic range (dB) - DNR is a measure of the difference between the highest and lowest portions of a signal. Normally a THD+N measurement at 60dB below full scale. The measured signal is then corrected by adding the 60dB to it. (e.g. THD+N @ -60dB= -32dB, DR= 92dB).
- THD+N (dB) - THD+N is a ratio, of the r.m.s. values, of (Noise + Distortion)/Signal.
- Stop band attenuation (dB) - Is the degree to which the frequency spectrum is attenuated (outside audio band).
- Channel Separation (dB) - Also known as Cross-Talk. This is a measure of the amount one channel is isolated from the other. Normally measured by sending a full scale signal down one channel and measuring the other.
- Pass-Band Ripple - Any variation of the frequency response in the pass-band region.

DIGITAL AUDIO INTERFACE TIMING

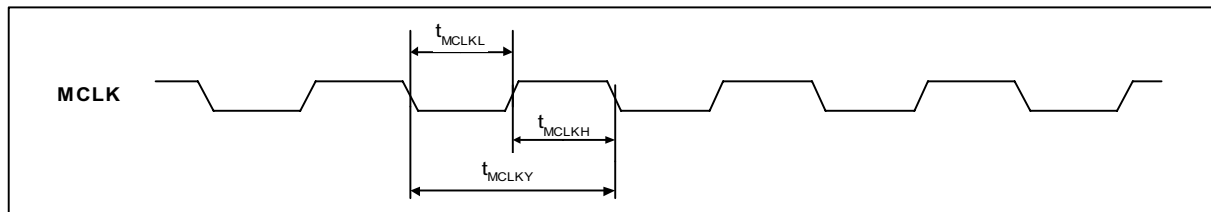


Figure 1 Master Clock Timing Requirements

Test Conditions

AVDD = 5.0V, AGND = 0V, DVDD = 3.3V, DGND = 0V, $T_A = +25^\circ\text{C}$, $f_s = 48\text{kHz}$, MCLK = 256fs unless otherwise stated.

PARAMETER	SYMBOL	TEST CONDITIONS	MIN	TYP	MAX	UNIT
System Clock Timing Information						
MCLK System clock pulse width high	T_{MCLKH}		10			ns
MCLK System clock pulse width low	T_{MCLKL}		10			ns
MCLK System clock cycle time	T_{MCLKY}		27			ns

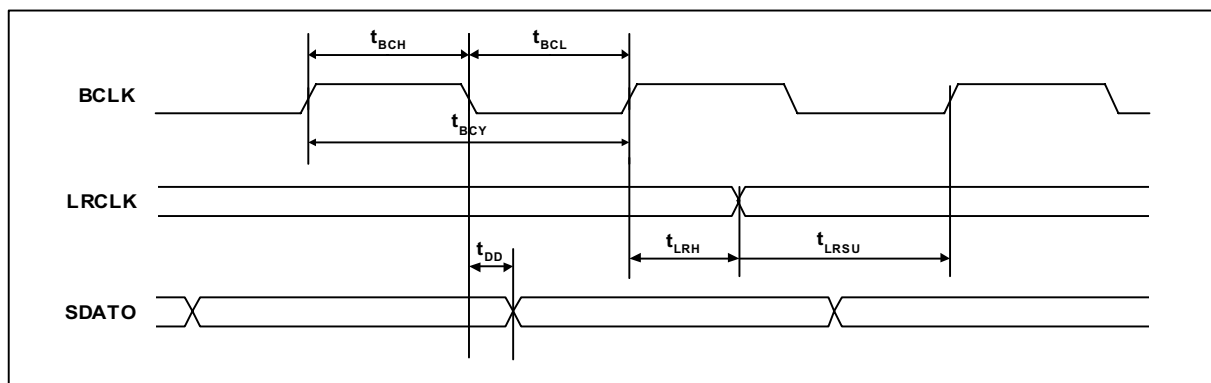


Figure 2 Digital Audio Data Timing

Test Conditions

AVDD = 5.0V, AGND = 0V, DVDD = 3.3V, DGND = 0V, $T_A = +25^\circ\text{C}$, $f_s = 48\text{kHz}$, MCLK = 256fs unless otherwise stated.

PARAMETER	SYMBOL	TEST CONDITIONS	MIN	TYP	MAX	UNIT
Audio Data Input Timing Information						
BCLK cycle time	t_{BCY}			80		ns
BCLK pulse width high	t_{BCH}			40		ns
BCLK pulse width low	t_{BCL}			40		ns
LRCLK set-up time to BCLK rising edge	t_{LRSU}			10		ns
LRCLK hold time from BCLK rising edge	t_{LRH}			10		ns
SDATO propagation delay from BCLK falling edge	t_{DD}			10		ns

DEVICE DESCRIPTION

INTRODUCTION

The WM8738 is an ADC designed for audio recording. Its features, performance and low power consumption make it ideal for recordable CD or DVD players, karaoke, MP3 players and mini-disc players.

The on-board stereo analogue to digital converter (ADC) is of a high quality using a multi-bit high-order oversampling architecture delivering optimum performance with low power consumption. The ADC includes a selectable digital high pass filter to remove unwanted DC components from the audio signal. The device supports system clock inputs of 256, 384, 512fs or 768fs (fs is the sampling rate)

The output from the ADC is available on the digital audio interface in either I²S or left justified audio data formats.

The line inputs are biased internally through the operational amplifier to V_{CAP} .

ADC

The WM8738 uses a multi-bit over sampled sigma-delta ADC. A single channel of the ADC is illustrated in Figure 3.

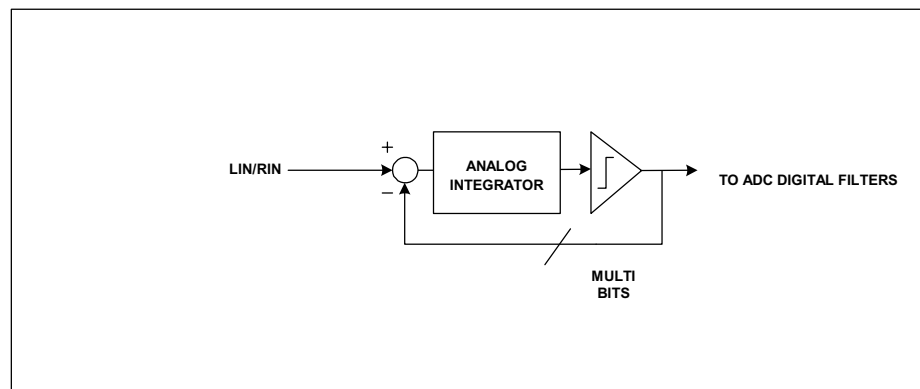


Figure 3 Multi-Bit Oversampling Sigma Delta ADC Schematic

The use of multi-bit feedback and high oversampling rates reduces the effects of jitter and high frequency noise.

The ADC Full Scale input is 1.0V rms at $AVDD = 5.0$ volts. Any voltage greater than full scale will possibly overload the ADC and cause distortion. Note that the full scale input tracks directly with $AVDD$.

The ADC filters perform true 24 bit signal processing to convert the raw multi-bit oversampled data from the ADC to the correct sampling frequency to be output on the digital audio interface.

ADC DIGITAL FILTER

The ADC digital filters contain a digital high pass filter, selectable via pin NOHP.

NOHP = 0 Digital high pass filter enabled

NOHP = 1 Digital high pass filter bypassed

The high-pass filter response detailed in Digital Filter Characteristics. The operation of the high pass filter removes residual DC offsets that are present on the audio signal.

AUDIO DATA SAMPLING RATES

In a typical digital audio system there is only one central clock source producing a reference clock to which all audio data processing is synchronised. This clock is often referred to as the audio system's Master Clock. The external master system clock can be applied directly through the MCLK input pin. In a system where there are a number of possible sources for the reference clock it is recommended that the clock source with the lowest jitter be used to optimise the performance of the ADC.

The master clock for WM8738 supports audio sampling rates from 256fs to 768fs, where fs is the audio sampling frequency LRCLK, typically 32kHz, 44.1kHz, 48kHz, or 96kHz. The master clock is used to operate the digital filters and the noise shaping circuits.

The WM8738 has a master clock detection circuit that automatically determines the relationship between the master clock frequency and the sampling rate (to within +/- 32 system clocks). If there is a greater than 32 clocks error the interface is disabled and maintains the output level at the last sample. The master clock must be synchronised with LRCLK, although the WM8738 is tolerant of phase variations or jitter on this clock. Table 1 shows the typical master clock frequency inputs for the WM8738.

If MCLK is stopped for greater than 10us then the device will enter a low power mode where the current taken from AVDD is greatly reduced. Note that when the device enters this mode the references are powered down.

Table 1 shows the common MCLK frequencies for different sample rates.

SAMPLING RATE (LRCLK)	Master Clock Frequency (MHz)			
	256fs	384fs	512fs	768fs
32kHz	8.192	12.288	16.384	24.576
44.1kHz	11.2896	16.9340	22.5792	33.8688
48kHz	12.288	18.432	24.576	36.864
96kHz	24.576	36.864	Unavailable	Unavailable

Table 1 Master Clock Frequency Selection

DIGITAL AUDIO INTERFACES

The WM8738 has two data output formats, selectable via the FMT pin. Refer to the Electrical Characteristic section for timing information.

FMT = 0 ADC audio data output is I²S

FMT = 1 ADC audio data output is Left Justified

Both of these modes are MSB first.

The digital audio interface takes the data from the internal ADC digital filter and placed it on the SDATO and LRCLK. SDATO is the formatted digital audio data stream output from the ADC digital filters with left and right channels multiplexed together. LRCLK is an alignment clock that controls whether Left or Right channel data is present on the SDATO line. SDATO and LRCLK are synchronous with the BCLK signal with each data bit transition signified by a BCLK transition.

LEFT JUSTIFIED MODE

In left justified mode, the MSB of the ADC data is output on SDATO and changes on the same falling edge of BCLK as LRCLK and may be sampled on the rising edge of BCLK. LRCLK is high during the left samples and low during the right samples.

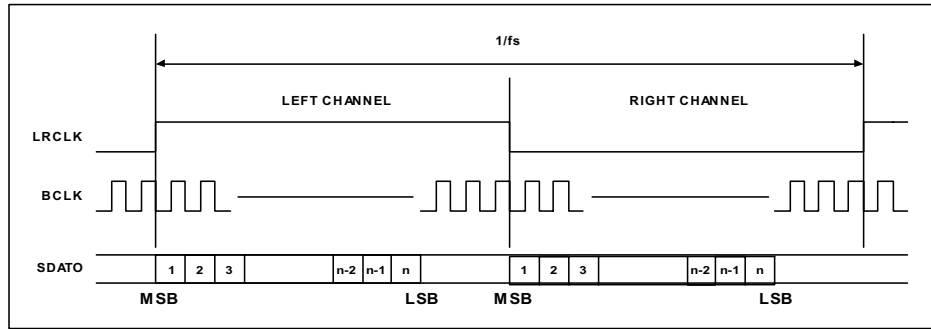


Figure 4 Left Justified Mode Timing Diagram

I²S MODE

In I²S mode, the MSB of the ADC data is output on SDATO and changes on the first falling edge of BCLK following an LRCLK transition and may be sampled on the rising edge of BCLK. LRCLK is low during the left samples and high during the right samples.

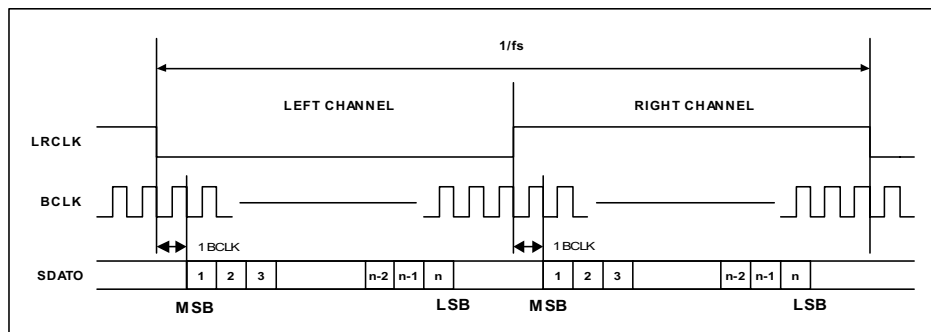


Figure 5 I²S Mode Timing Diagram

DIGITAL FILTER CHARACTERISTICS

PARAMETER	SYMBOL	TEST CONDITIONS	MIN	TYP	MAX	UNIT
Passband		±0.01 dB	0		0.4535fs	dB
Stopband		-6dB		0.5fs		
Passband ripple					±0.01	dB
Stopband			0.5465fs			
Stopband Attenuation		f > 0.5465fs		-65		dB
Group Delay				22		Samples

Table 2 Digital Filter Characteristics

ADC FILTER RESPONSES

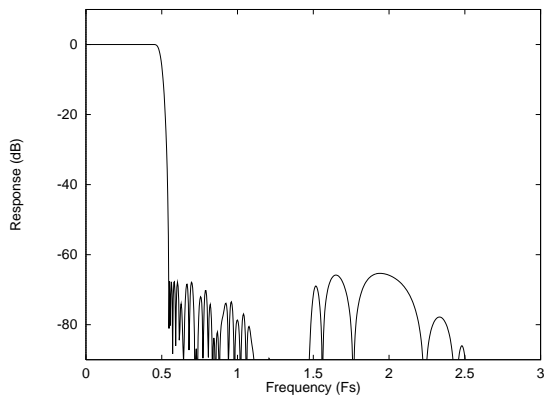


Figure 6 ADC Digital Filter Frequency Response

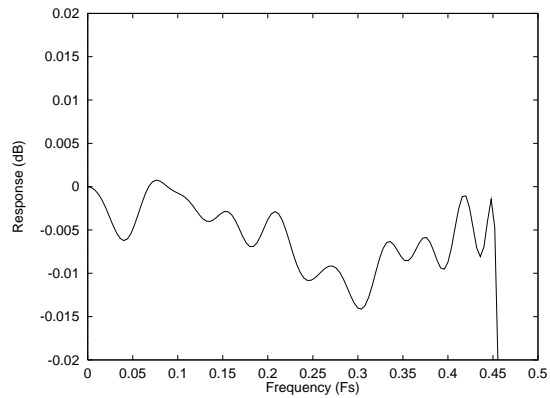


Figure 7 ADC Digital Filter Ripple

ADC HIGH PASS FILTER

The WM8738 has a selectable digital highpass filter to remove DC offsets. The filter response is characterised by the following polynomial.

$$H(z) = \frac{1 - z^{-1}}{1 - 0.9995z^{-1}}$$

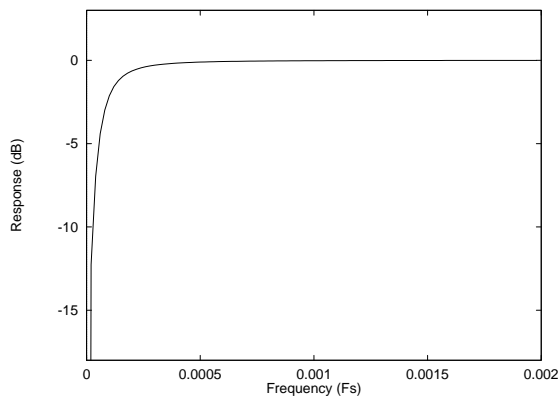


Figure 8 ADC Highpass Filter Response

RECOMMENDED EXTERNAL COMPONENTS

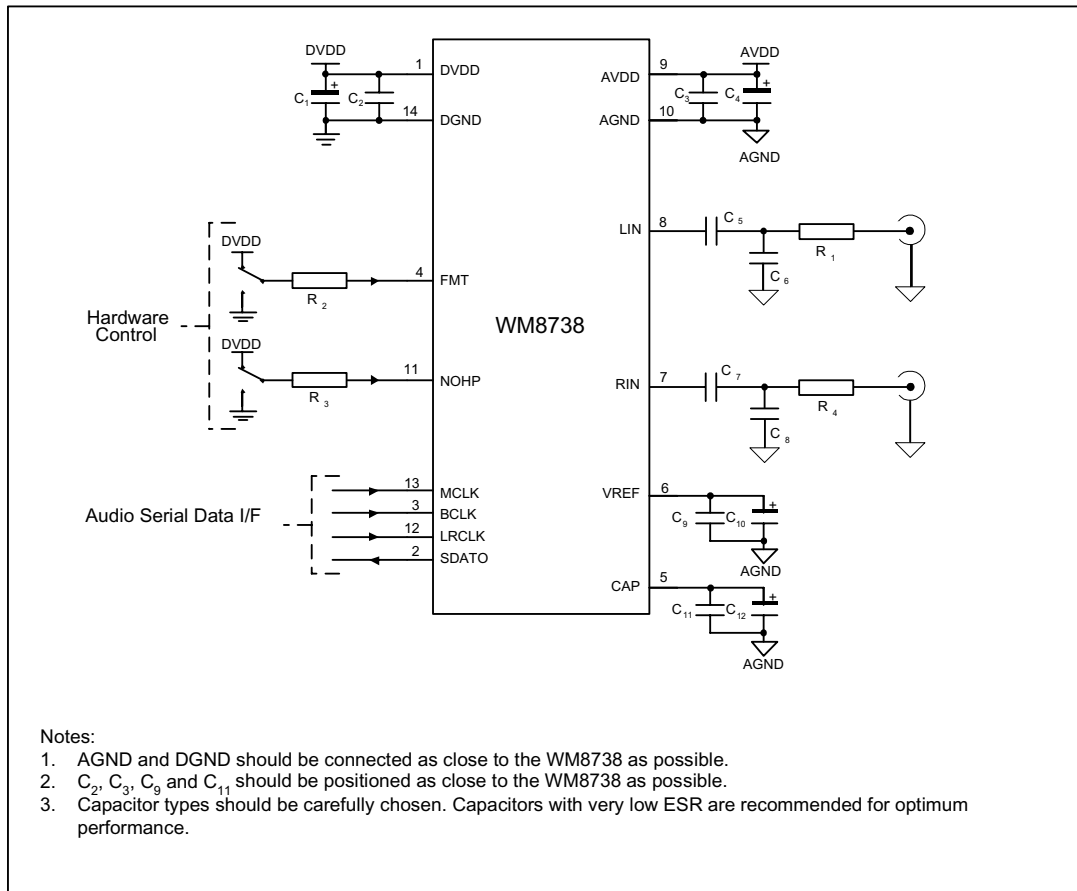


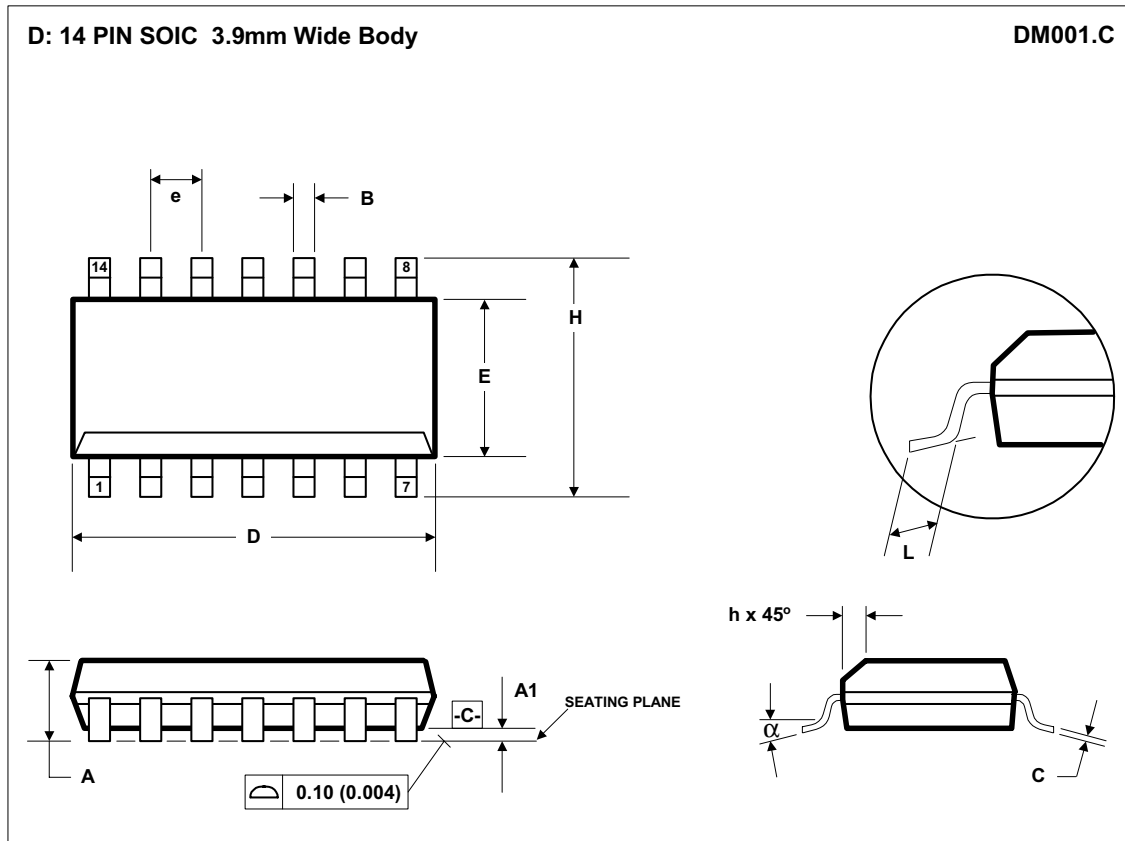
Figure 9 External Components Diagram

RECOMMENDED EXTERNAL COMPONENTS VALUES

COMPONENT REFERENCE	SUGGESTED VALUE	DESCRIPTION
C1 and C4	10µF	De-coupling for DVDD and AVDD
C2 and C3	0.1µF	De-coupling for DVDD and AVDD
C5 and C7	1µF	Analogue input AC coupling caps
C6 and C8	4.7nF	Analogue input filtering (RC) capacitor
R2 and R3	10kΩ	Current limiting resistors
R1 and R4	680Ω	Analogue input filtering (RC) resistor
C9	0.1µF	Reference de-coupling capacitors for VREF pin
C10	10µF	
C11	0.1µF	Reference de-coupling capacitors for CAP pin
C12	10µF	

Table 3 External Components Description

PACKAGE DIMENSIONS



Symbols	Dimensions (mm)		Dimensions (Inches)	
	MIN	MAX	MIN	MAX
A	1.35	1.75	0.0532	0.0688
A1	0.10	0.25	0.0040	0.0098
B	0.33	0.51	0.0130	0.0200
C	0.19	0.25	0.0075	0.0098
D	8.55	8.75	0.3367	0.3444
E	3.80	4.00	0.1497	0.1574
e	1.27 BSC		0.05 BSC	
H	5.80	6.20	0.2284	0.2440
h	0.25	0.50	0.0099	0.0196
L	0.40	1.27	0.0160	0.0500
α	0°	8°	0°	8°
REF:	JEDEC.95, MS-012			

- NOTES:
 A. ALL LINEAR DIMENSIONS ARE IN MILLIMETERS (INCHES).
 B. THIS DRAWING IS SUBJECT TO CHANGE WITHOUT NOTICE.
 C. BODY DIMENSIONS DO NOT INCLUDE MOLD FLASH OR PROTRUSION, NOT TO EXCEED 0.25MM (0.010IN).
 D. MEETS JEDEC.95 MS-012, VARIATION = AB. REFER TO THIS SPECIFICATION FOR FURTHER DETAILS.

IMPORTANT NOTICE

Wolfson Microelectronics plc (WM) reserve the right to make changes to their products or to discontinue any product or service without notice, and advise customers to obtain the latest version of relevant information to verify, before placing orders, that information being relied on is current. All products are sold subject to the WM terms and conditions of sale supplied at the time of order acknowledgement, including those pertaining to warranty, patent infringement, and limitation of liability.

WM warrants performance of its products to the specifications applicable at the time of sale in accordance with WM's standard warranty. Testing and other quality control techniques are utilised to the extent WM deems necessary to support this warranty. Specific testing of all parameters of each device is not necessarily performed, except those mandated by government requirements.

In order to minimise risks associated with customer applications, adequate design and operating safeguards must be used by the customer to minimise inherent or procedural hazards.

WM assumes no liability for applications assistance or customer product design. WM does not warrant or represent that any license, either express or implied, is granted under any patent right, copyright, mask work right, or other intellectual property right of WM covering or relating to any combination, machine, or process in which such products or services might be or are used. WM's publication of information regarding any third party's products or services does not constitute WM's approval, license, warranty or endorsement thereof.

Reproduction of information from the WM web site or datasheets is permissible only if reproduction is without alteration and is accompanied by all associated warranties, conditions, limitations and notices. Representation or reproduction of this information with alteration voids all warranties provided for an associated WM product or service, is an unfair and deceptive business practice, and WM is not responsible nor liable for any such use.

Resale of WM's products or services with statements different from or beyond the parameters stated by WM for that product or service voids all express and any implied warranties for the associated WM product or service, is an unfair and deceptive business practice, and WM is not responsible nor liable for any such use.

ADDRESS:

Wolfson Microelectronics plc
20 Bernard Terrace
Edinburgh
EH8 9NX
United Kingdom

Tel :: +44 (0)131 272 7000

Fax :: +44 (0)131 272 7001

Email :: sales@wolfsonmicro.com